

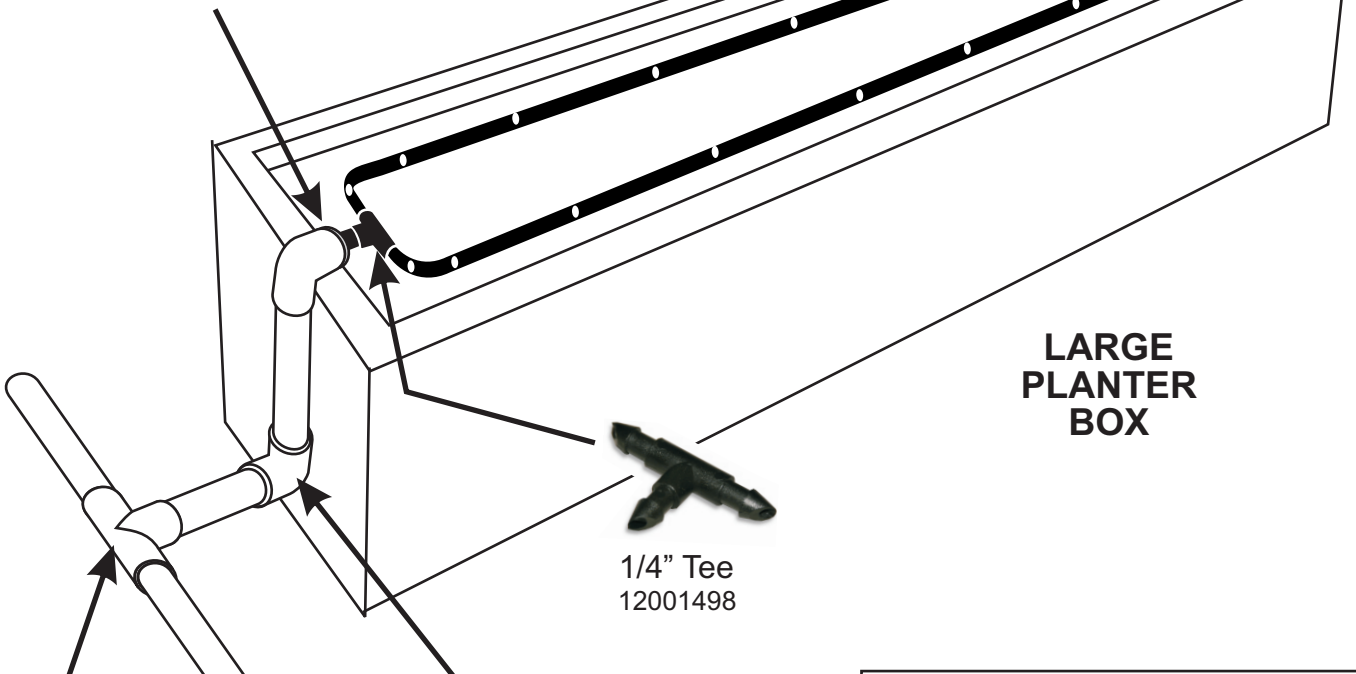
PRESSURE	EMITTER DISCHARGE RATE
10 psi	0.37 gph
15 psi	0.46 gph
20 psi	0.52 gph
25 psi	0.59 gph
30 psi	0.65 gph



1/4" Elbows
at all corners
12001499

1/4" DRIPLINE
6" Emitter Spacing
12070110

250CA ORANGE
COMPRESSION ADAPTER
12002810



LARGE
PLANTER
BOX

1/4" Tee
12001498

1/2" PVC TEE SSS
04401005

1/2" PVC 90 ELL SS
04406005

1/2" PVC Pipe

Using 1/2" PVC Header

NOTE:

Example planter dimensions are 18" x 48"

Total dripline per box is +/-108"

18 x 0.50 GPH drippers per dripline @ 6" spacing.

9 GPH total flow @ 20 PSI.

Can water up to 23 planter boxes per 1/2" PVC header. (3.5 GPM)



1/4" DRIPLINE X 6" SPACING
12070110

